

# PTO SERIES™

## Power Take Off Series

Katolight's Power Take Off (PTO) Series is the most complete selection in the industry with features that assure the quality and dependability found in all Katolight products. Some of the most significant performance features include:

- Five year warranty
- 1% automatic voltage regulation
- Easy to use "speed indicator light" for precise RPM and voltage control
- 100% copper windings
- Helical gear drive
- The highest efficiency ratings in the industry
- Four pole slow speed, 1800 RPM, totally brushless design
- Full load connector through 105kW, receptacle and circuit breaker standard
- Full load testing of each and every production unit
- Solid state full wave brushless exciter for reliability and superior motor starting



### PTO Alternator Accessories/Options:

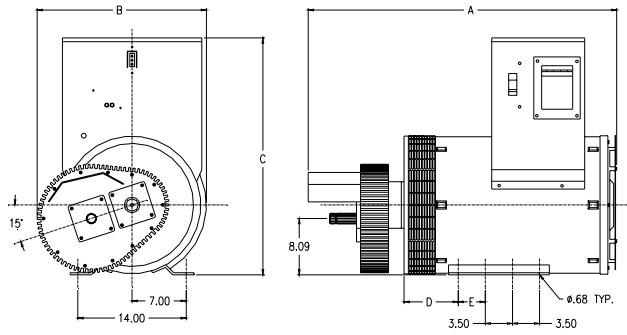
- Heavy duty shielded power shaft
- Unit mounted vibration isolated meter panel
- Two-wheeled off highway transport trailer
- Speed monitor for remote monitoring of alternator output
- Protective canvas cover with drawstring
- CSA approved models available
- 540 or 1000 RPM gearbox optional through 60kW single phase, or 55kW three phase 1000 RPM standard above 60kW

PTO Alternators			
Phase	Model Selection	kW Range	Voltage
1 Phase	KLM1	25, 40, 50, 60, 75 & 100	120/240
3 Phase	KLM3	45, 55, 65, 85, 105 & 135	120/240 120/208 277/480



Dependable Power Solutions ... It's All We Do!

# PTO SERIES™



## Dimensions and Weights Single Phase Models

Model No.	Momentary Surge Watts	Minimum Required HP	A	B	C	D	E*	Approx. Net lbs.	Approx. Ship lbs.	Power Shaft Weight	Trailer Weight
KLM1-25	75,000	35	30 7/8	16 5/8	24 9/64	7 41/64	5	450	550	45 lbs.	235 lbs.
KLM1-40	120,000	65	38 11/16	22 9/16	29 7/8	7 13/16	3 1/2	735	835	45 lbs.	235 lbs.
KLM1-50	150,000	78	38 11/16	22 9/16	29 7/8	7 13/16	3 1/2	760	860	45 lbs.	235 lbs.
KLM1-60	180,000	92	38 11/16	22 9/16	29 7/8	7 13/16	3 1/2	780	880	45 lbs.	235 lbs.
KLM1-75	225,000	113	42 5/16	22 9/16	29 7/8	7 13/16	3 1/2	930	1030	45 lbs.	235 lbs.
KLM1-100	300,000	151	45 7/16	22 9/16	33 7/8	11 5/16	3 1/2	1080	1180	48 lbs.	295 lbs.

## Dimensions and Weights Three Phase Models

Model No.	Momentary Surge Watts	Minimum Required HP	A	B	C	D	E*	Approx. Net lbs.	Approx. Ship lbs.	Power Shaft Weight	Trailer Weight
KLM3-45	135,000	72	38 11/16	22 9/16	29 7/8	7 13/16	3 1/2	735	835	45 lbs.	235 lbs.
KLM3-55	165,000	85	38 11/16	22 9/16	29 7/8	7 13/16	3 1/2	755	855	45 lbs.	235 lbs.
KLM3-65	195,000	100	38 11/16	22 9/16	29 7/8	7 13/16	3 1/2	785	885	45 lbs.	235 lbs.
KLM3-85	255,000	131	42 5/16	22 9/16	33 7/8	7 13/16	3 1/2	915	1015	45 lbs.	235 lbs.
KLM3-105	315,000	160	42 5/16	22 9/16	33 7/8	7 13/16	3 1/2	945	1045	45 lbs.	295 lbs.
KLM3-135	405,000	202	45 7/16	22 9/16	33 7/8	11 5/16	3 1/2	1220	1320	63 lbs.	295 lbs.

**CAUTION:** If operating your PTO generator with a tractor that has an electrically engaged PTO system you will have to use a PTO shaft with a friction/overrunning combination clutch feature to avoid damaging your generator drive system. Request information on shafts with this feature when ordering.

**PTO Drives:** Heavy duty shielded power shaft provides maximum safety for operator.

**Model 4001:** P/N# 44811 (540 RPM) 1 3/8" 6-spline both ends maximum operating length of approximately 43 1/8" used on 540 RPM models up to 40kW, up to 80 hp.

**Model 4200:** P/N# 44812 1 3/8" 6-spline on alternator end and 1 3/8" 21-spline on tractor end maximum operating length of approximately 40 1/4". Used on 1000 RPM models up to 100kW or maximum of 160 hp.

**Model 4200-66:** P/N# 44806 (540 RPM) 1 3/8" both ends maximum operating length of 40 1/4" used on 540 RPM models through 60kW or up to 160 hp.

**Model 6611:** P/N# 44803 (1000 RPM) 1 3/4" 20 x 1 3/8" 21. P/N# 44814 is 1 3/4" 20 x 1 3/4" 20. Maximum operating length of approximately 48" used on 135kW model.



**KATOLIGHT**® Dependable Power Solutions ... It's All We Do!

04-07

**100 POWER DRIVE MANKATO, MN 56001**  
**PHONE 507.625.7973 FAX 507.625.2968 TOLL FREE 800.325.5450 WWW.KATOLIGHT.COM**  
**• A Tognum Group Company •**